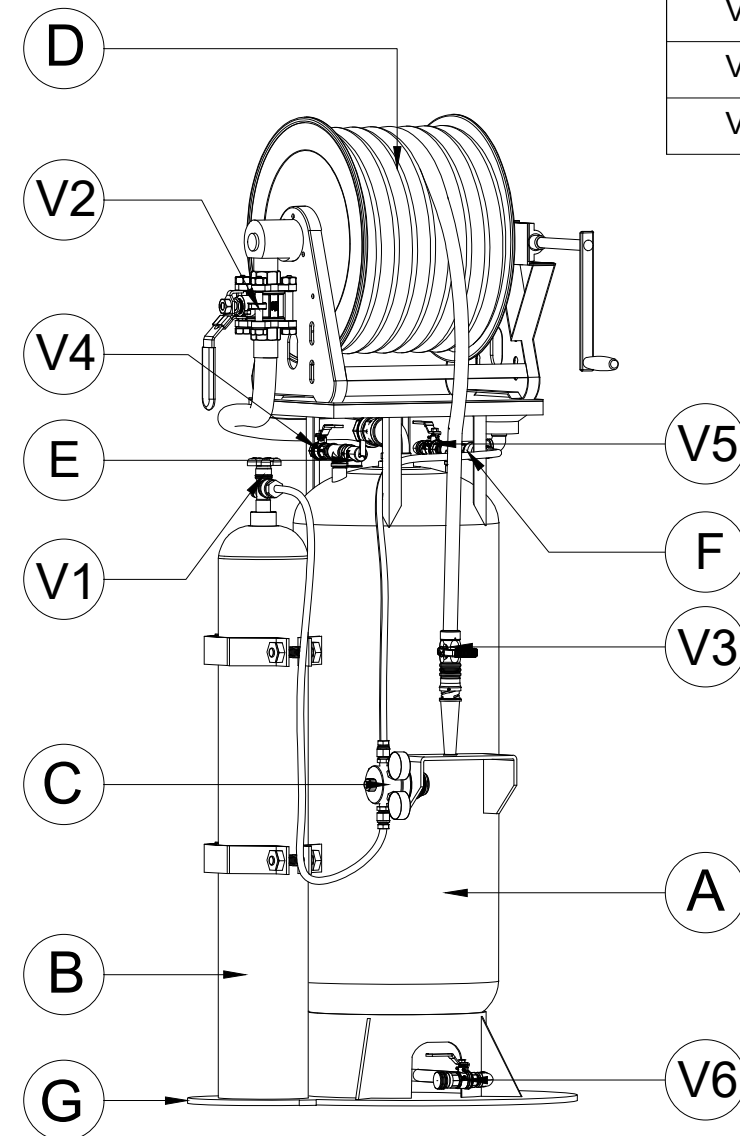
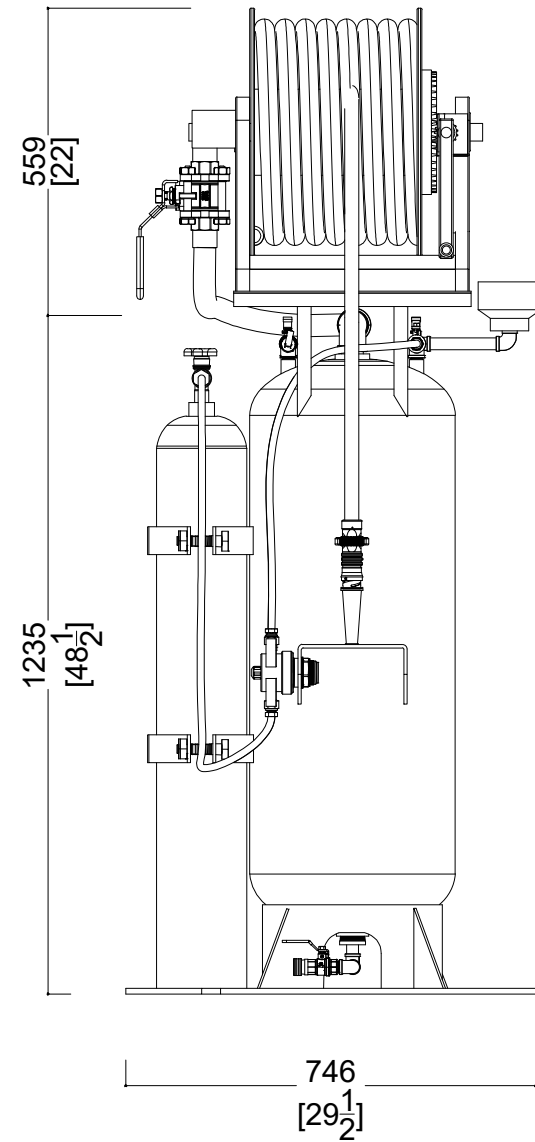
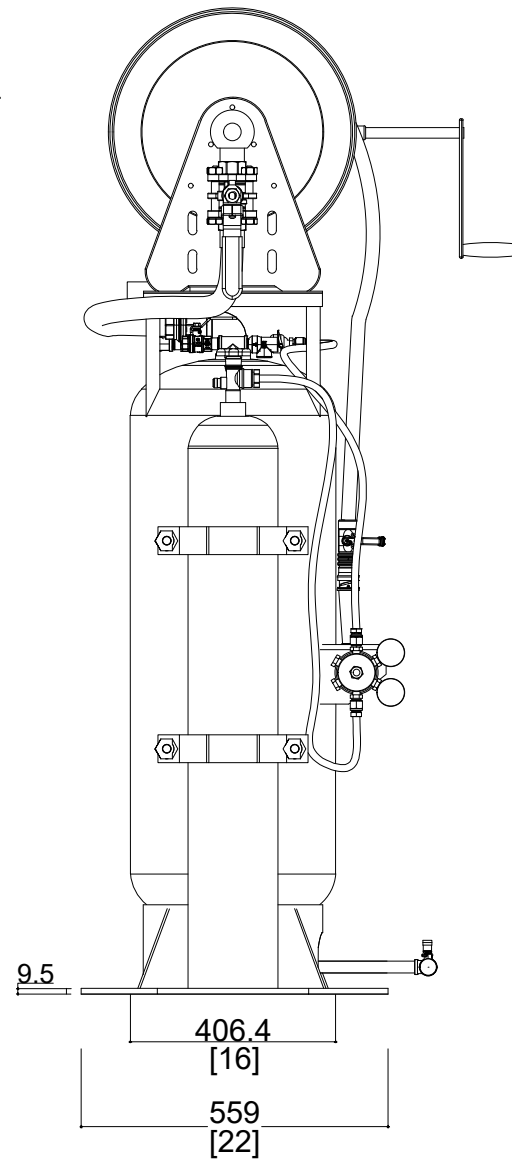
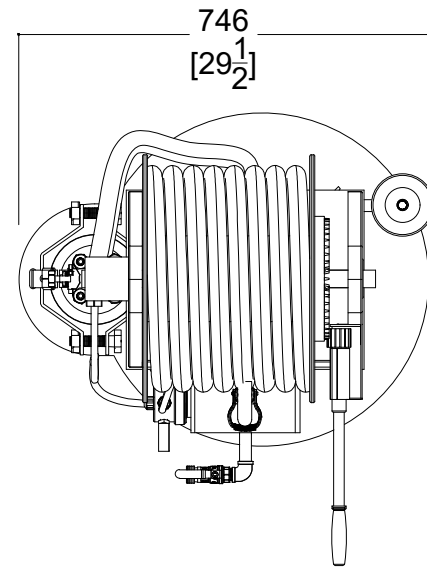


SYSTEM WEIGHT:

EMPTY: 300Lbs. / 136.1 Kgs.
 FULL: 505.5Lbs. / 249.7 Kgs.
 CAPACITY: 30 GALLONS / 113.6 LITERS



ITEM #	DESCRIPTION
A	30 GALLONS PRESSURIZE STEEL TANK
B	125 CU. FT. NITROGEN CYLINDER
C	NITROGEN REGULATOR
D	50' HOSE, 1" I.D., 300 PSI HOSE REEL
E	Ø1/2" PRESSURE RELIEF VALVE
F	Ø1/2" CHECK VALVE
G	BASE PLATE
V1	NITROGEN VALVE
V2	1" FOAM DISCHARGE BALL VALVE
V3	FOAM NOZZLE VALVE
V4	1/2" RELIEF BALL VALVE
V5	1/2" FOAM SOLUTION FILL BALL VALVE
V6	1/2" FOAM SOLUTION DRAIN BALL VALVE



NOTICE: This detailed comprehensive drawing has been made as a record for your files and is the sole and exclusive property of ACAF SYSTEMS Inc., having been made to a design conceived at said Co. and is not to be reproduced, nor any part or portion thereof, nor any information obtained there from, to be made use of or disclosed in any manner whatsoever.

UNLESS OTHERWISE SPECIFIED ALL DIMENSIONS ARE IN INCHES.
 FRACTIONAL ± 1/32" (±.8 mm)
 2 DECIMAL PLACES ±.01" (±.3 mm)
 3 DECIMAL PLACES ±.005" (±.13 mm)
 4 DECIMAL PLACES ±.0005" (±.013 mm)
 ANGLE ± 30 MIN.
 UNLESS OTHERWISE SPECIFIED ALL MACHINED SURFACES TO BE 63√ OR BETTER. REMOVE ALL UNNECESSARY SHARP EDGES.



ACAF SYSTEMS, Inc.
 4 GRAFTON STREET, COVENTRY RI, 02816
 Tel. (401)828-9787 Fax. (401)828-9788

DRAWN BY LER	DATE 10/04/2018	DESIGNED BY DBM	DATE 10/04/2018
CHK. --	DATE --	REVISION DATE	

TITLE: BOSS 30 VERTICAL MARINE		
SCALE: NTS	DRAWING NO.:	C.A.D. REV.
SHEET: 1 OF 1	KD4071	0